

CLASSIC SOLUTION

ECOMATIC - ECONOMIZER

ECOMATIC NET

Classic Method, state-of-the-art performances: advanced functions to manage the cleaning cycle, large number of parameters and management via serial line.

Economisers in the ECOMATIC-NET range are digital sequential timers with built-in differential pressure switches and are able to control from 4 to 96 solenoid valves respectively.

In all versions there is a display with 3 digit that can display the most important features and it is possible to programme the various and customizable internal parameters with the 3 buttons on the panel. The states and functions are displayed by the lighting of LEDs on the front panel of the instrument.

The controllers with AC power supply are able to control both electronic valves with AC input and electronic valves with 24VDC.

Each model is supplied in polycarbonate enclosures with transparent lids and IP56 protection rating.

On demand, the ECOMATIC-NET instruments can be provided of an ACTIVE analogical output proportional to the pressure read by the sensor.

The Ecomatic NET can be supplied in Atex Zone 22 3D version and can be equipped with a RS 485 serial output for communication with PC or PLC via MODBUS.

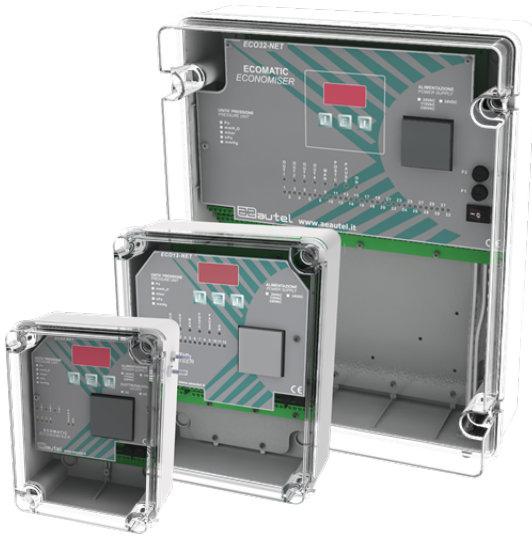
The input and relay outputs can be programmed with various functions and the instrument, if put into communication with an Autel triboelectric probe, is able to detect in which row is present the broken bag.

PRODUCT CERTIFICATIONS

STANDARD



OPZIONALI



TECHNICAL SPECIFICATIONS

Main Features	Features	Values
Protection	Protection Level (standard)	IP56
Temperature	Working Temperature (°C)	-10... +50
Power Supply	Power Supply Range (standard)	24Vac/115Vac/230Vac 50-60Hz
	Power Consumption	100W

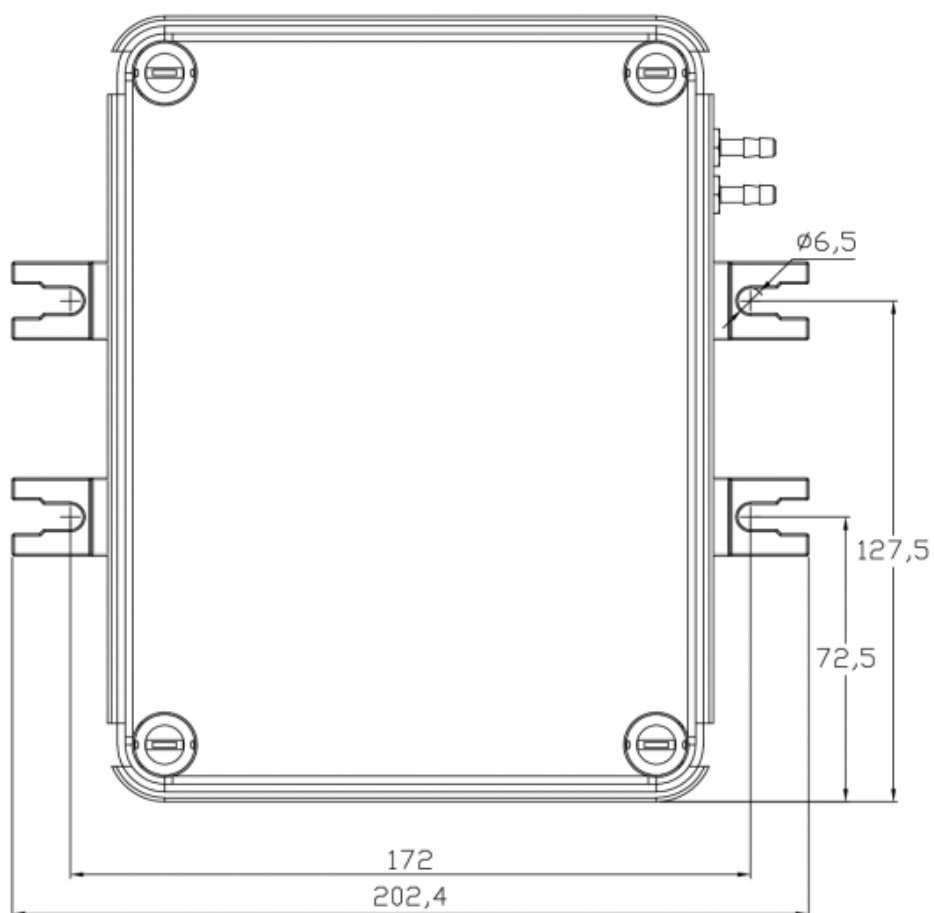
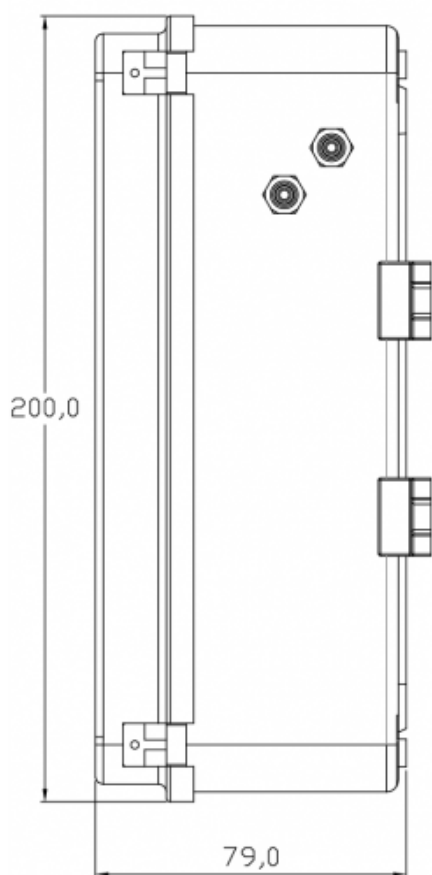
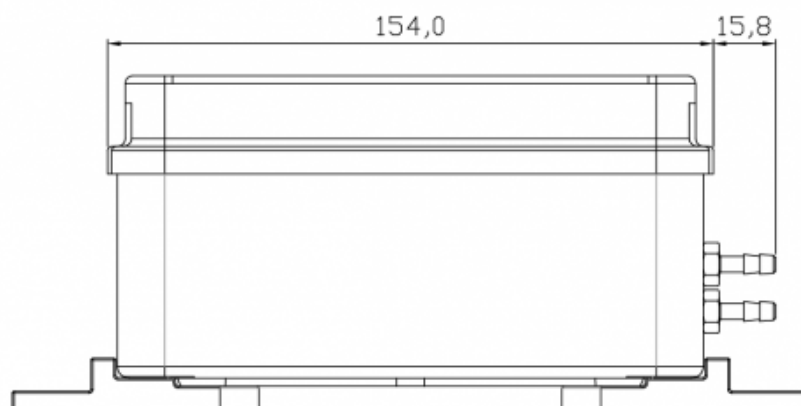


TECHNICAL SPECIFICATIONS

Main Features	Features	Values
Display	Display Type	7-segment display
	Resolution	3 digits
	Display Color (standard)	Red
Inputs	Digital Inputs (nr)	3-4 opto-isolated inputs
	Pressure Input	ok
	Pressure Range	-99/+999dPa, -99/+999mmH ₂ O, -9.9/+99.9mBar, -0.99/+9.99kPa, -7.5/+75.0mmHg
Outputs	Relay Outputs (nr)	1-2
	Relay Output Power	2A/115Vac
	Coils Control Voltage	24Vac, 115Vac, 230Vac or 24Vdc
	4-20mA Output	optional
Functions	Cyclic Management	ok
	Delta Pressure Management	ok
	Customizing Cycles	ok
	Remote Start/Stop	ok
	Autopause	ok
	Precoating	ok
	Post-cleaning	ok
	Cleaning cycle	ok (standard)
	Coils can be activated simultaneously for each output (nr)	2
	Broken Coil Control	ok
	Pressure Tank Control	ok
Broken Bag Control with D.Probe	ok	
Serial Ports	RS485	optional
System	Maximum Driver Managed	4... 96 electrovalves
	Type	MASTER
	Type of driver connectable	electrovalve/SPV
	Type of control driver	triac outputs
Controls	Buttons (nr)	3
Application	Type	Complex Small, Medium and Big size dust collectors

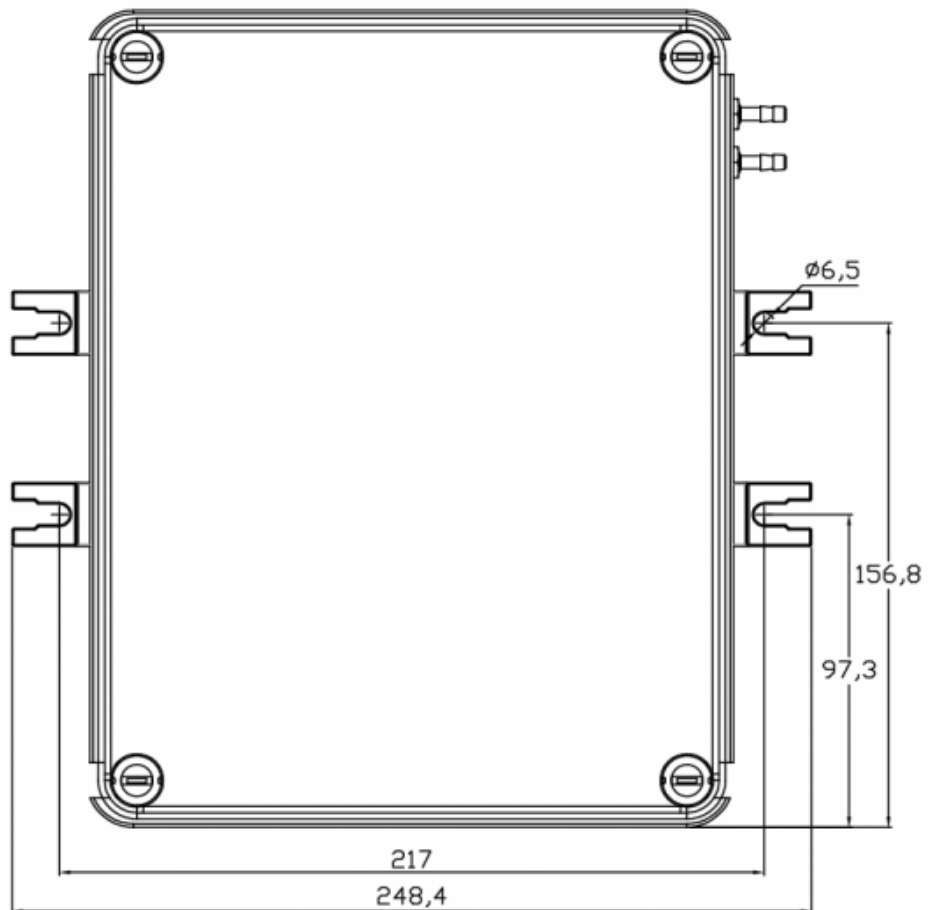
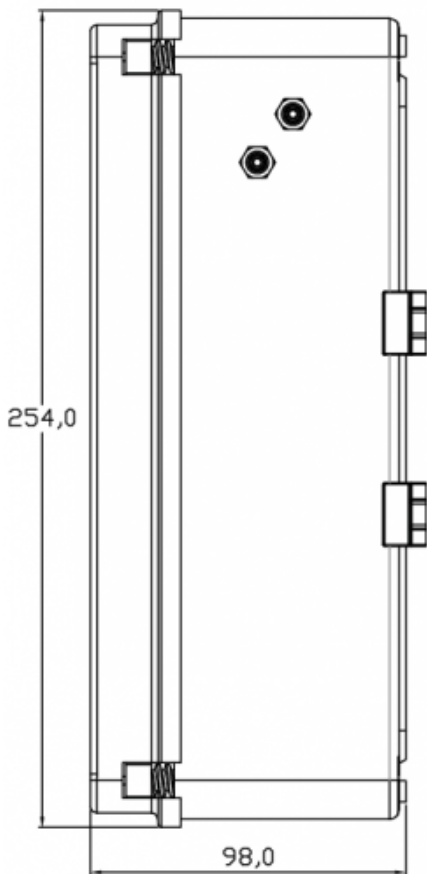
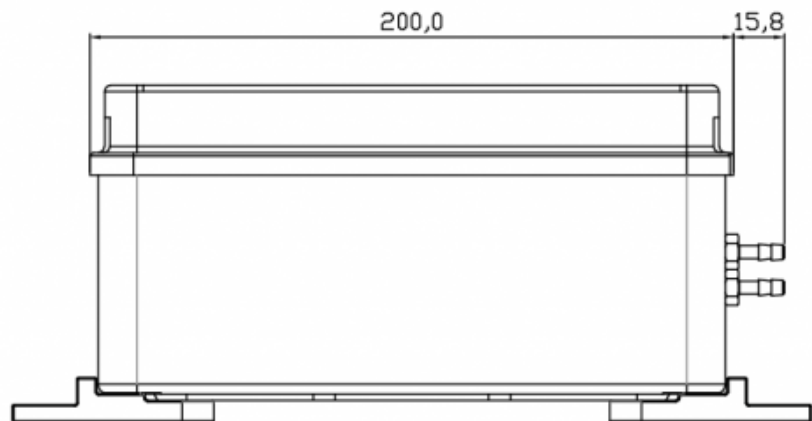
DIMENSIONAL LAY-OUT

ECO4-NET
ECO6-NET



DIMENSIONAL LAY-OUT 2

ECO12-NET



DIMENSIONAL LAY-OUT 3

ECO20-NET
 ECO32-NET
 ECO64-NET
 ECO96-NET

